



Installation Manual

aqua de-light compact

LED Underwater Illumination

1. Important Information

- 1.1 Install the aqua de-light on a flat area against the field of vision to avoid glare.
- 1.2 Please ensure that your aqua de-light is installed by a qualified electrician.
- 1.3 The instructions depend on the type of pool. We recommend the installation of the aqua de-light illumination as indicated on the drawings below.

Your aqua de-light is designed to be used under water only. Ensure that the illuminator is fully installed and fully submerged before it is switched on.

Do not restrict water from entering the cooling vents on the front of the illuminator.

When connecting the illumination device to the cable ensure (cable connector) the RED O-RING is in place and sitting correctly.

2 Installation Instructions

2.1 Drawing 1 - Installation for Liner Pools

1x illuminator Ø120mm with IP68 cable screw joint, IP68 cable connector and 3 m cable.

6x stainless steel screws M5x14mm

1x ABS-flange

2x silicone gaskets for liner

1x wall inlet R2" ABS

1x silicone gasket for pool surface

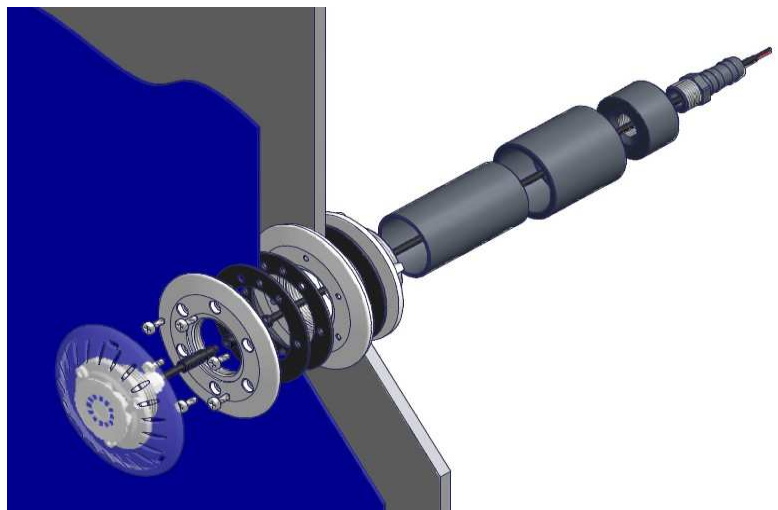
1x locknut ABS

1x lengthening pipe Ø50mm PVC

1x straight joint PVC

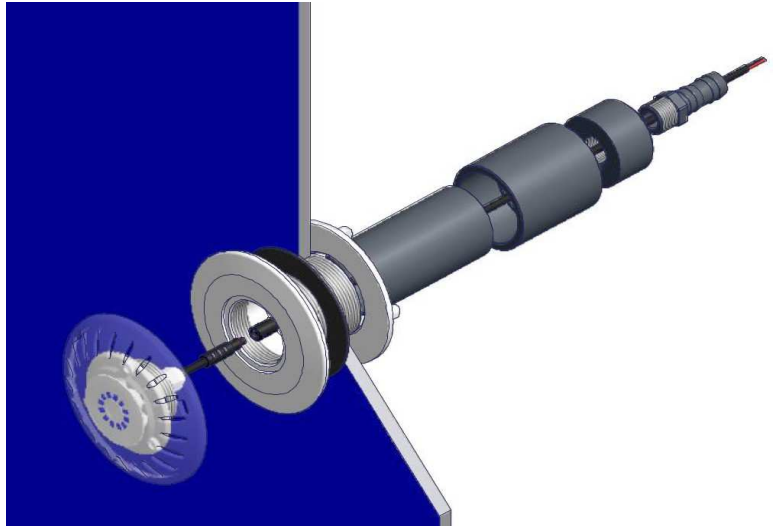
1x end cap Ø50mm with thread 1/2" PVC

1x conduit socket, thread 1/2" PVC



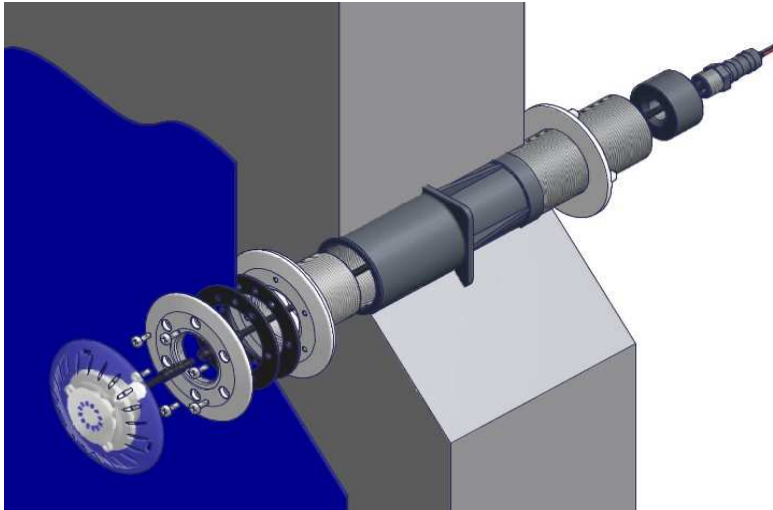
2.2 Drawing 2 - Installation for Polyester Pools / Stainless Steel Pools

- 1x illuminator Ø120mm with IP68 cable screw joint, IP68 cable connector and 3 m cable.
- 1x wall inlet R2" ABS
- 1x silicone gasket for pool surface
- 1x locknut ABS
- 1x lengthening pipe Ø50mm PVC
- 1x straight joint PVC
- 1x end cap Ø50mm with thread 1/2" PVC
- 1x conduit socket, thread 1/2" PVC



2.3 Drawing 3 - Installation for Concrete Pools

- 1x illuminator Ø120mm with IP68 cable screw joint, IP68 cable connector and 3 m cable.
- 6x stainless steel screws M5x14mm
- 1x ABS-flange
- 2x silicone gaskets for liner
- 1x wall inlet R2" ABS
- 1x wall inlet for concrete R2" PVC
- 1x locknut ABS
- 1x end cap Ø50mm with thread 1/2" PVC
- 1x conduit socket, thread 1/2" PVC



3. Power Supply

The installation for the power supply has to be located at least 3 m from the pool area in a dry and weather protected compartment. Please ensure that your aqua de-light illuminator and power supply are installed by a qualified electrician.

Caution: Each aqua de-light illuminator is supplied with its own power supply. The use of any other power supply may damage or destroy the aqua de-light illuminator.

Important

Please use only adhesives which are recommended for the specific materials ABS and PVC. Other adhesives can cause damage. Please do not spill adhesives on to the illuminator.