

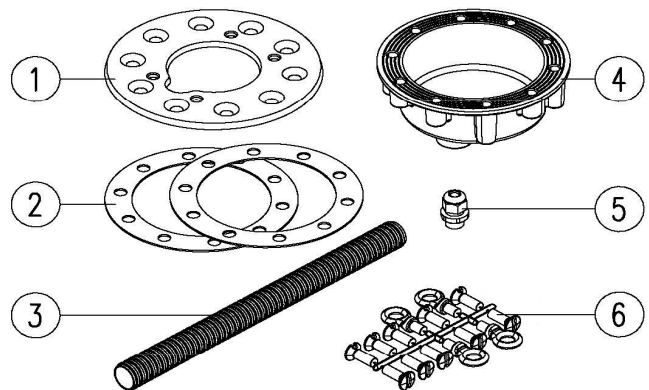
Installation Instruction

Niche and flange
for aqua de-light illumination

2.1 Content

Check with drawing

1. VW00201 1 flange
2. VW00211 2 silicone gaskets
3. VW00212 1 conduit D-25mm, length 1m
4. VW00202 1 niche
5. VW00213 1 IP68 cable screw joint
6. VW00214 1 set countersunk screws M10

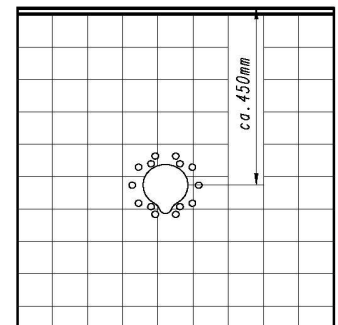
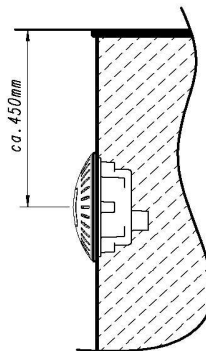


2.2 Installation Instruction

2.2.1 These instructions depend on the type of pool. We recommend to use the "niche and flange" for concrete, liner and one piece pools.

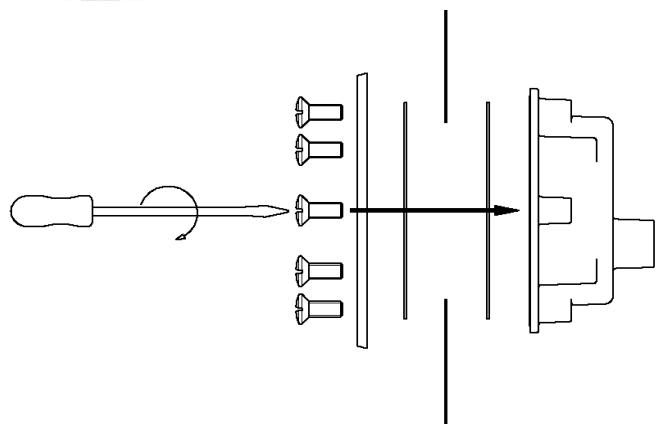
2.2.2 Concrete Pools

The niche and flange should be installed appr. 450mm below edge of pool.
Screw the four ring-bolts in to back of niche.
Feed galvanised steel wire through ring-bolts and fasten to steel structure.



2.2.3 With liner and one-piece pools place the flange on the outside of the pool at the position where the light is to be installed (i.e. at the correct depth) and use the flange to mark on the pool wall the shape of the aperture on the inside of the flange. Remove the flange and cut out the aperture in the pool wall as per the drawing.

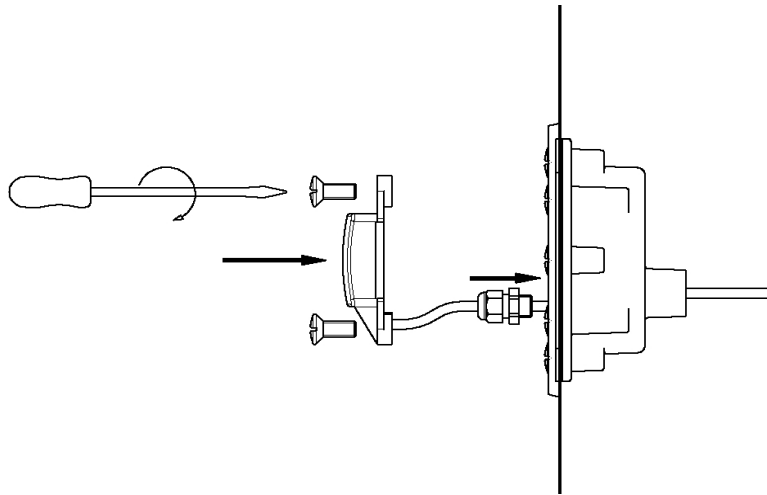
2.2.4 Position the niche, 2 silicone gaskets, the flange and secure them with the M10x25mm counter sunk screws.
Caution: Ensure the cable recess is in the correct position.
(refer to the arrows "TOP and BOTTOM")



- 2.2.5 Push the cable of the illuminator through the IP68 cable screw joint in the niche and ensure to tighten gland to create a waterproof seal. Leave appr. 800mm of cable in the niche for a possible exchange above water level.

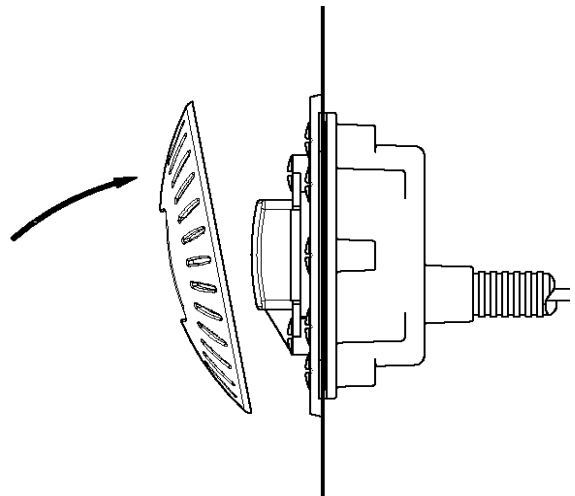
Secure the illuminator to the flange with 4 counter sunk screws M10x25 mm.

Do not use force or powertools when tightening screws as this may cause damage.



- 2.2.6 Click on light frame.
The assembly of the niche should be on a flat and even surface or the flange may distort and the light frame may not click on securely.

- 2.2.7 Feed the cable through conduit. Insert conduit with silicone in to gland.
Alternatively, use a conduit with 32mm inner diameter and fasten with a hose clip onto gland.

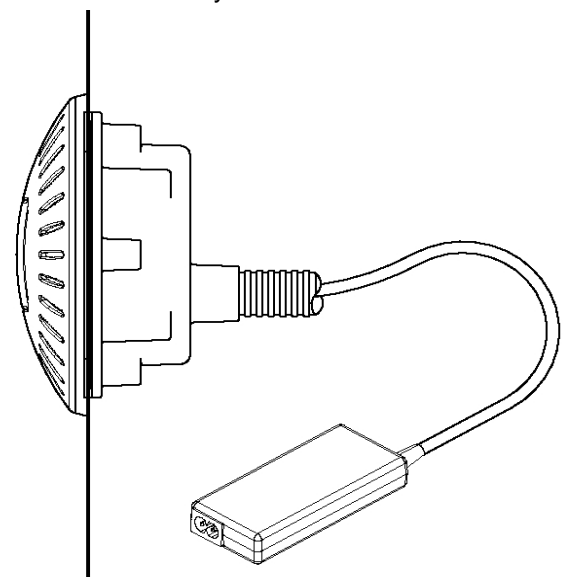


- 2.2.8 Plug in the transformer making sure it is located at least 3 m from the pool area in a dry and weather protected location or compartment. The installation must be done by an electrician.

Caution:

Each aqua de-light illuminator is supplied with its own transformer. The use of any other transformer may damage or destroy the aqua de-light illuminator.

Should you for any reason wish to use an adhesive use silicone only.



Please note: The light has a patented water cooled PC system and should always be immersed in water.

Your dealer:

www.aquadelight.com

info@aquadelight.com