

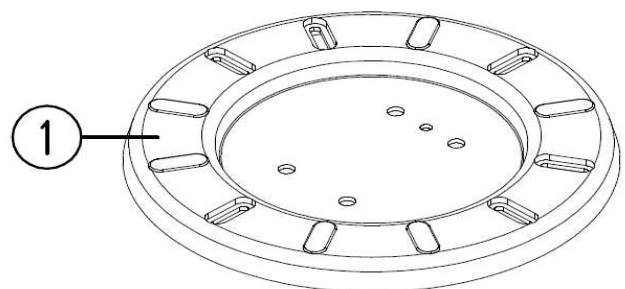
## Adapter Installation

for existing underwater lights  
195-240mm diameter

### 3.1 Content

check according to drawing

1. VW00301 1 Adapter
2. VW00302 6 caps
3. VW00321 4 counter sunk screws M10x25mm
4. VW00322 4 female screw nuts



### 3.2 General Information

The aqua de-light adapter is designed to fit most existing underwater lights with flange dimensions of OD 230mm/ID 195mm up to OD 277mm/ID 240mm. Please note: It is possible individual circumstances may necessitate minor technical adjustments.

### 3.3 Installation Instruction

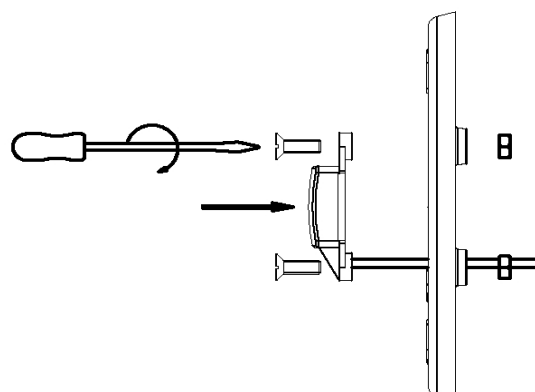
3.3.1 Before commencing installation of the aqua de-light, please make sure the electrical power is disconnected.

Remove the light bulb from the existing light and remove 2-4 screws from the flange/face plate secured to the pool wall.

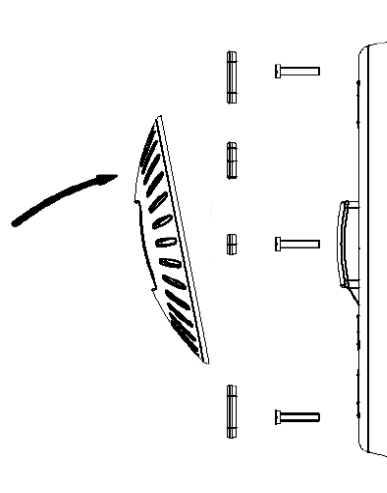
3.3.2 Guide cable from the aqua de-light through the 7mm hole in the adapter.

Secure the LED illuminator on the adapter using the 4 counter sunk screws and the 4 female screw nuts.

**Do not use force and do not use power tools or electrical screw drivers when tightening screws as these may cause damage.**



3.3.3 Connect cable from the aqua de-light to the existing cable (the power source) joining the cable with the cable connectors supplied. The cable connectors are water proofed and tested to IP-68. Do not use heat shrink to connect the cables. This does cause leakage.



3.3.4 Place the adapter over the existing niche and secure with the existing screws.

3.3.5 Cover the heads of the screws by inserting the caps (enclosed) in each of the slots of the adapter.

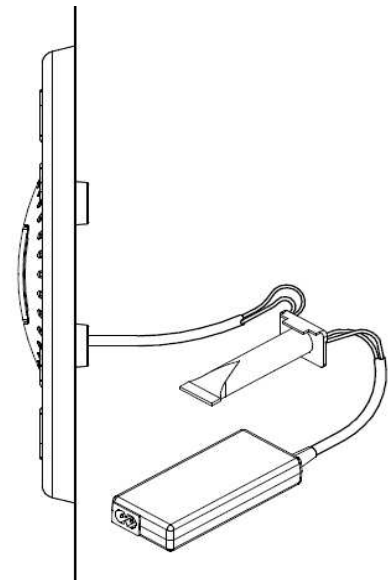
3.3.6 Secure the light frame to the LED illuminator. Clicking in 2x retention flanges. Please note, that the assembly of the aqua de-light should be on a flat and even surface or the retention flanges may not click-on securely.

3.3.7 Replace the existing transformer with the new aqua de-light transformer. Make sure the connection of the cables is located at least 3m from the pool area, in a dry and weather protected location or compartment.

**Caution: Each aqua de-light is supplied with its own transformer. The use of any other transformer may cause damage or destroy the aqua de-light illuminator.**

**Please note: At all times electrical installation and fitting of the light must be done in accordance with regulations, guidelines and laws of local regulators and authorities.**

**Should you for any reason wish to use an adhesive use silicone only.**



**example:**

**Caution: The light has a patented water cooled PC system and should always be immersed in water.**

**Your dealer:**

[www.aquadelight.com](http://www.aquadelight.com)

[info@aquadelight.com](mailto:info@aquadelight.com)