

Installation Instructions

LED under water illumination

1.1 Installation

- 1.1.1 One aqua de-light is suitable for illumination of pools up to 30m³.
- 1.1.2 Install the aqua de-light on a flat area against the field of vision to avoid glare.

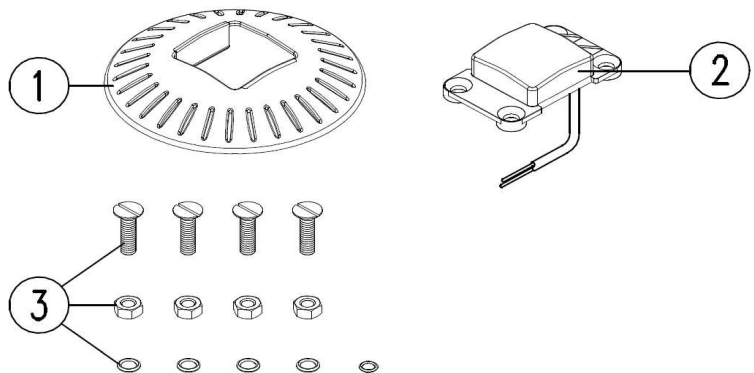
Caution: Should you for any reason wish to use an adhesive use silicone only.

Please note: The light has a patented water cooled PC system and should always be immersed in water.

1.2 Content

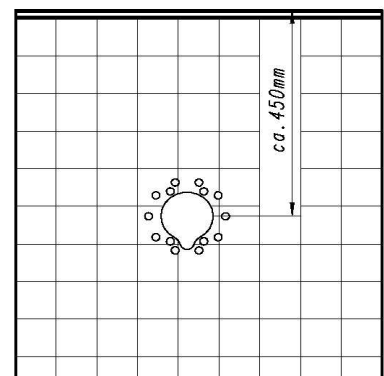
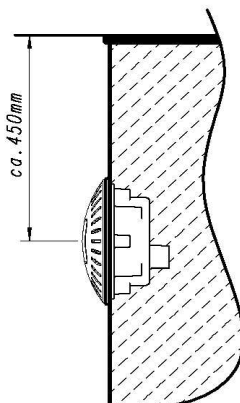
Please check the drawing for identification

- 1. VW00101 1 light frame
- 2. LED3600 1 LED illuminator
incl. of 3m cable
- 3. VW00320 1 set of screws, nuts,
O-rings



1.3 Installation procedure

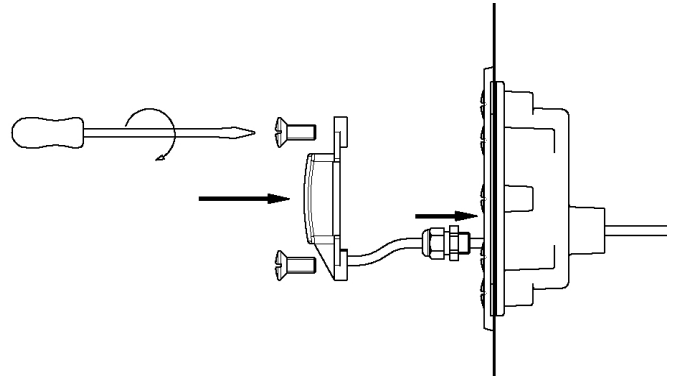
- 1.3.1 The mounting of an aqua de-light illuminator depends on your kind of pool. We recommend the installation of an aqua de-light illuminator together with the aqua de-light niche and flange. To replace an existing light please use the aqua de-light adapter (refer to the appropriate installation instructions)



- 1.3.2 Push the cable of the illuminator through the IP68 cable screw joint in the niche and ensure to tighten gland to create a waterproof seal. Leave appr. 80 cm of cable in the niche to allow for a possible exchange at a later stage above water level.

Secure the illuminator to the flange of the niche with the M10 screws.

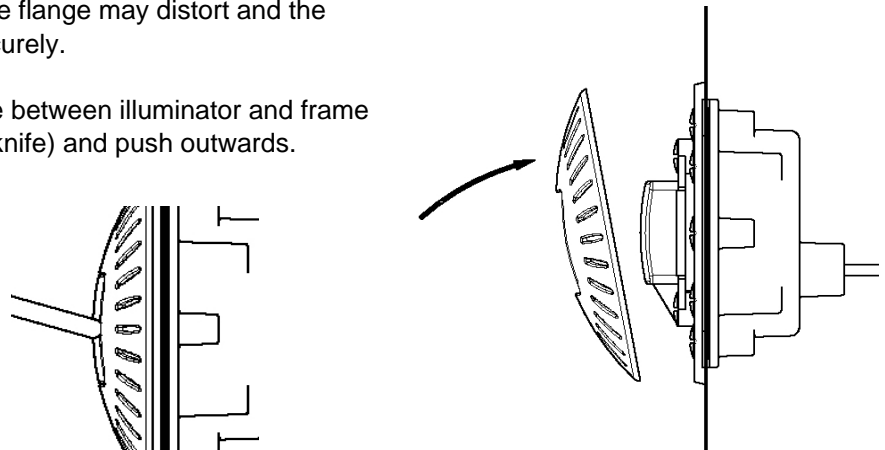
Do not use force and do not use powertools or electrical screw drivers when tightening screws as these may cause damage.



- 1.3.4 Click on light frame. Please note that the assembly of the aqua de-light niche should be on a flat and even surface or the flange may distort and the light frame may not click on securely.

To remove the light frame place between illuminator and frame on both sides a flat object (i.e. knife) and push outwards.

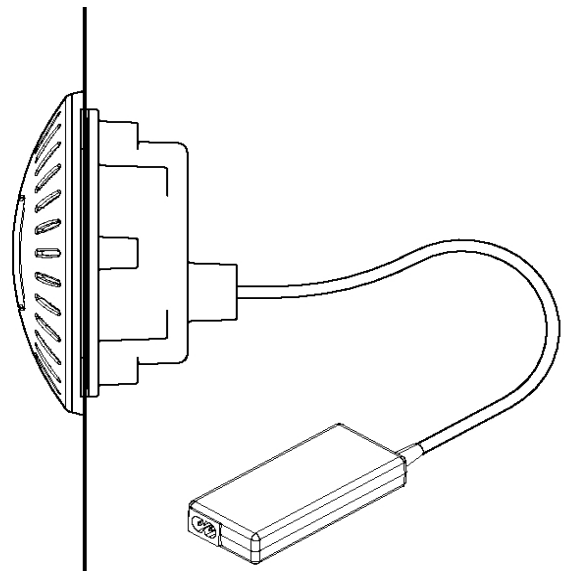
The retention flanges will thus be released.
(refer to picture)



- 1.3.5 Plug in the transformer making sure it is located at least 3m from the pool area in a dry and weather protected location or compartment. The installation must be done by an electrician.

Caution:

Each aqua de-light illuminator is supplied with its own transformer. The use of any other transformer may damage or destroy the aqua de-light illuminator.



example:

Technical Data

LED illuminator

36 Watt / 12 Volt DC
outer dimensions: 110 x 70 x 30 mm
diameter = 175 mm
Material: Polycarbonat

Light frame

Your dealer:

www.aquadelight.com

info@aquadelight.com